

**CITY OF SANTEE
DEPARTMENT OF DEVELOPMENT SERVICES
10601 MAGNOLIA AVENUE
SANTEE, CA 92071
(619) 258-4100 x167**

MOVING PERMIT REGULATIONS

June 2022

**CITY OF SANTEE
DEPARTMENT OF DEVELOPMENT SERVICES
10601 MAGNOLIA AVENUE
SANTEE, CA 92071
(619) 258-4100 x167**

Regulations Governing Movement of Construction Equipment and Materials

General Requirements

1. All moves shall be made from sunrise to sunset unless otherwise noted on the face of the permit.
2. No moves shall be made on Saturday, Sunday, Holidays, or at night unless authorized on the face of the permit.
3. No moves shall be made between the hours of 7:00 a.m. and 8:30 a.m. or between 3:30 p.m. and 6:00 p.m. over congested roads.
4. Each applicant for a permit shall provide proof of INSURANCE IN FORCE in accordance with Section 11.34.255 of the City Code.
5. All provisions of the Vehicle Code and City Ordinance shall be complied with at all times.

Single Trip Permits

1. An application must contain:
 - a. Name and address of mover.
 - b. Object(s) to be transported.
 - c. Dimensions, height, width, length.
 - d. Object weight.
 - e. Gross weight.
 - f. Composition of hauling equipment.
 - g. Maximum axle loads (not to exceed "PURPLE" weight as specified by California Department of Transportation).
 - h. Origin, route, destination.

- i. Hauling equipment identification.
Make, model, license number.
 - j. Permit fee is \$19.00 (FY21-22)
 - k. Permit issued for one-week period.
2. Restrictions
- a. Loads exceeding 12'-6" in width require a pilot car; loads in excess of 14'-0" in width require a pilot car before and after. Loads over 90'-0" long require 2 pilot cars.
 - b. Loads exceeding 15'-0" in width or 15'-0" in height require route evaluation. These applications must be submitted to the Department of Development Services at least 8 days prior to the intended move.
 - c. The Department of Development Services may impose such other restrictions deemed necessary by the specific conditions of the move applied for.
 - d. Night and Saturday moves will be considered upon request in accordance with the Department of Development Services Regulations covering night and Saturday moves.

Blanket (Annual) Permit:

- 1. Annual permits will be issued for moving construction equipment under the following conditions:
 - a. Permit to be issued to a specific truck and trailer combinations, truck cranes, etc. to be identified by year, make, license number, I. D. number, number of axles, number of tires, width of trailer.
 - b. For construction equipment moved with a truck-trailer combination.
 - (1) Vehicle and load shall not exceed 13'-6" in width 15'-0" in height and 90'-0" overall length.
 - (2) Loads with overhang require a pilot vehicle (see diagrams).
 - c. For truck cranes.

Vehicle shall exceed 11'-0" plus 2" on each side for tire bulge, clearance lights and safety devices required by California Vehicle Code (mirrors may extend on either side as necessary to conform with Section 26709

of the Vehicle Code); height must be legal; length shall not exceed 75'-0" overall not including boom or 80'-0" overall including boom, subject to the restrictions as specified by the California State Department of Transportation. Application for moving a truck crane must be accompanied by a copy of valid State Transportation Permit and/or a copy of weight and inspection report not more than one year old.

- d. Proof of Insurance meeting the criteria set for in Section 11.34.255 of the City code.
- e. Applicant must be a licensed dealer, transporter, or contractor.
- f. Applicant must be an owner of the vehicle of the authorized representative.
- g. Permits for "GREEN" loads will be limited to those City roads not posted for a lesser load limit. Permits for "PURPLE" loads will be limited to a specific list of County roads. ("GREEN" and "PURPLE" weights are specified by California State Department of Transportation.)
- h. Permits for oversize loads shall be deemed to cover only those roads over which a load of that size can be moved safely.
- i. Movements of loads in excess of 12'-6" will REQUIRE a pilot car. Those loads in excess of 14'-0" will require a pilot car fore and aft.
- j. Night and Saturday moves will be made in accordance with Department of Development Services regulations covering night and Saturday moves.
- k. Permit fee is \$109.00 for period not to exceed one year.
 - (1) If permit is issued for less than one year because of insurance, it can be extended to one year upon proof of insurance.
 - (2) If the tractor identified on a blanket permit is sold, the permit may be assigned to a new tractor for the remainder of the permit life.

Repetitive Haul Permits:

- 1. Repetitive haul permit may be issued where multiple units of similar cargo is hauled over the same route. An application can contain:
 - a. All information required for a single move permit will be required on repetitive permits.

- b. Individual tractor and trailers need not be identified if the cargo is unique.
- c. Permit fee is the same as a blanket permit, \$109.00 (FY21-22).
- d. Permits shall be issued for a period sufficient to cover hauling operation but must not be longer than one year.
- e. Applicant must be a licensed dealer, transporter, or contractor.
- f. Applicant must be the owner of the vehicle or the authorized representative.

**CITY OF SANTEE
DEPARTMENT OF DEVELOPMENT SERVICES
10601 MAGNOLIA AVENUE
SANTEE, CA 92071
(619) 258-4100 x167**

Regulations Governing the Movement of Extra-Legal Loads and Escort Vehicles

General Requirements

1. **ACCEPTANCE OF PERMIT.** The moving of any load or the doing of any work on the highway in accordance with this permit shall be regarded as an acceptance by the Permittee of all terms and conditions of the permit. This permit is effective only between the hours stated on the face of the permit or as may be specified in additional regulations.

This permit is to be strictly construed and any move other than specifically mentioned on the face of this permit will render this permit null and void.

The use of this permit is prima facie evidence that the driver has checked the load and/or vehicle and know it to be within the limits as set forth hereon and has verified the routing accuracy.

This permit is not valid unless signed by an authorized representative of the Department of Development Services.

This permit is automatically canceled if the move is made by crews or equipment of any organization or individual other than the one named on the face of the permit, or if any alteration or attempted alteration is made upon any portion, section or part of this permit (see Vehicle Code Sec. 27900), or if a reproduced copy of the permit is used.

Work authorized under this permit is subject to inspection by representatives of the Department of Development Services and costs of such inspection shall be borne by the Permittee.

2. **COMPLY WITH APPLICABLE LAWS.** This permit is issued pursuant to Section 35780 of the Vehicle Code. Except as specifically provided herein, the requirements of the Vehicle Code and any vehicle registration requirements and other applicable laws must be complied with in all particulars.
3. **PERMIT SUBJECT TO INSPECTION.** This permit must be carried-on the equipment or load at all times while it is being moved within the highway limits. It shall be submitted for inspection on demand of an authorized employee of the Department of Development Services or of any law enforcement officer.

4. FACSIMILE PERMIT. Each Facsimile Permit shall have an authorized signature of a Department of Development Services employee certifying it to be a true copy. A reproduced or altered facsimile permit will not be allowed and shall be automatically canceled.
5. REDUCIBLE LOADS. This permit is issued on the premise that the load described hereon has been loaded in a manner consistent with the California Department of Development Services reducible load policy. This policy does not authorize over legal dimension(s) by loading side by side, by stacking nor by loading end to end. Over legal weight is not authorized if two or more non-related items are transported as a single load. This permit is automatically canceled if any permitted dimension or weight can be reduced to legal limit by repositioning and/or practical removal of a part, portion, or unit therefrom. Trusses as defined by Section 657 of the Vehicle Code are exempt from the repositioning requirement as intended by Section 35708.5 of the Vehicle Code. Items not listed on the permit may be hauled provided they do not increase the dimensions of the vehicle or permitted item and the loaded vehicle is of legal axle and gross weights. All tampers, rollers, and other compaction equipment ballasted with water, earth or metal must have such ballast removed unless all axle and gross weights do not exceed Vehicle Code legal maximums. Integral components of construction equipment and implements of Husbandry need not be removed providing the overall width does not exceed 14'-0", except the draft arms of a scraper and dozer blades cannot exceed 14'-6".

Limit of Authorization

6. CITY HIGHWAYS. This permit only covers portion of move on City highways under jurisdiction of the Department of Development Services. This permit neither implies nor grants otherwise. City and State permits must be secured for travel on roads and streets under their respective jurisdiction.
7. TRIP LIMIT. Unless specifically stated on the face hereof, this permit is good for only one trip between the points d e s i g n a t e d .
8. SAFETY. Permittee shall at all times give strict attention to the safety and rights of the traveling public.
9. TRAVELED WAY. The vehicle must be kept to the right of the highway centerline at all times and must stay off shoulders except when entering or leaving the highway or when necessary to allow trailing traffic to pass. On narrow or winding roads, flagmen shall effectively warn and direct traffic. Movement in convoy shall not be permitted unless specified on the face of the permit.
10. BRIDGE STRUCTURES. Extra-legal weight vehicles or loads shall not cross bridge structures simultaneously with other heavily laden vehicles. Before entering upon any bridge structure, the Permittee shall observe approaching

traffic from both directions and should it appear that a second heavily laden vehicle would pass in the opposing lane of traffic or overtake the vehicle, the driver shall pull unit clear of the traveled way and wait until the unregulated load or loads have crossed the bridge structure before entering thereon.

11. PROTECTION ON BRIDGES OR NARROW ROADS. When crossing bridges or on roads so narrow that it is impossible to comply with Regulation 9, a flagman shall be posted ahead of such equipment to warn and direct approaching traffic (see Escort Vehicle Regulations 36 and 37).
12. NIGHT MOVING. Night or weekend moving of extra-legal loads or vehicles will only be permitted when specifically stated on the face of the permit. When night moving is permitted, clearance and side marker lamps must be installed on load at all times and mounted to conform to Section 25100 (c) of the Vehicle Code. Vehicles used for night or weekend moving of permit loads must meet the following requirements:
 - a. performance shall be comparable with vehicles moving legal loads.
 - b. shall have the ability to maintain normal highway speeds.
 - c. shall avoid undue interference with other traffic.
13. MOVING IN FOGGY, RAINY OR WINDY WEATHER. No moving shall be done in foggy, rainy or windy weather when visibility is restricted to less than 1,000 feet except on special authorization. Movement is prohibited when road surfaces are hazardous due to rain, ice, snow or frost or when use of tire chains is mandatory. No moving shall be done when velocity of the wind is such that it causes the vehicle being towed to whip or swerve from side to side or fall to follow substantially in the path of the towing vehicle. Any accident caused by excessive wind conditions shall be considered a prima facie violation of this restriction.
14. PARKING ON HIGHWAY. If necessary to park equipment or load on the highway at night, it shall be moved off the traveled way or pavement so as not to interfere with passing traffic in any way. Warning lights shall be displayed so as to fully protect said traffic. Parking on freeways will be allowed only in case of emergency.
15. NO MOVING DURING HEAVY TRAFFIC. Unless authorized on the face of this permit equipment or load covered by this permit shall not be moved over the highways on Saturdays, Sundays and the following holidays (or any of these holidays falling on a weekend and celebrated on a weekday):

New Year's Day	Labor Day
Washington's Birthday (3rd Monday in Feb.)	Thanksgiving Day
Memorial Day (Last Monday in May)	Christmas Day
Independence Day	

When one of the above listed holidays falls on Monday or Friday, permit movements will not be allowed on a holiday nor the immediately preceding or following weekend, unless authorized on the face of the permit.

Responsibility of Permittee

16. **RESPONSIBILITY FOR BRIDGES.** This permit does not authorize crossing any posted bridges with gross load exceeding posted limits. Permittee shall comply with all rules posted on any bridges over which are passed and shall assume all risks relative thereto.
17. **OVERHEAD CLEARANCE.** When height of load exceeds legal limit, it becomes the responsibility of the Permittee to check all underpasses, bridges, overhead wires or other structures for impaired vertical clearance and to bypass or arrange clearance at such locations.
18. **REPAIR OF DAMAGE.** In accepting this permit, the Permittee agrees to repair at their own expense and to the satisfaction of the Director, any damage to the highway or structures. Work of repair may be done by the Department of Development Services forces at the option of the Director of Development Services, the cost to be borne by the Permittee. In the event of damage to City highway facilities such as bridges, traffic signals, light standards and so forth, a written report must be filed with the Department within 72 hours after such damage has been done. Failure to make this report will be considered cause for cancellation of all permit privileges pending a satisfactory arrangement with the Department for repair or replacement of the damaged facility.
19. **LIABILITY FOR DAMAGES.** The Permittee is responsible for all liability for injury to or death of any person or damage to property which may occur through any act or omission of either the Permittee or the City of Santee. In the event any claim, suit, or action is brought against the City of Santee, its officer, or employee thereof, by reason of, or in connection with any such act or omission, Permittee shall defend, indemnify, and hold harmless the City, its officers and employees from such claim, suit, or action.
20. **OTHER LEGAL LIMITATIONS.** All vehicles, utilized as laden or unladen under this permit must conform to legal length, width, and/or overall combination length as defined in the California Vehicle Code, except as specifically stated on the permit. Outriggers may extend to maximum 10'-6" width on legal width vehicles only when laden.
21. **AUXILIARY EQUIPMENT.** All trailers or dollies being towed by truck cranes, boom trucks, "A" frame units, drill rigs or similar units and/or any transported load on such trailer or dolly must conform to legal length, width and/or weights as defined in the California Vehicle Code unless specifically exempt on the face of the permit.

22. **MAXIMUM WEIGHT AND SIZE.** The maximum limits for weight and size of vehicles and loads set forth in the Vehicle Code shall not be exceeded except as specifically stated on the face of this permit. Permitted axle weights do not authorize exceeding rated capacity of vehicle tires as specified in 1086 California Administration Code.
23. **BOOSTER TYPE AXLES.** A booster axle is an axle generally having an air or hydraulic cylinder suspension system that can be actuated independently to assume a portion of the load that would otherwise be carried by adjacent axles. Booster axles and add on or "Joe Dog" axles shall not be used in the movement of permit loads.
24. **TRAILERS AND/OR DOLLIES.** Not more than two trailers or one trailer and one dolly in combination shall be moved over the highway at any one time behind the towing equipment. Exceptions will be considered if transported item is of an unreducible weight and extra axles are mandatory to achieve weight limitations.
25. **REARVIEW MIRRORS.** Mirrors on power units must be located so as to reflect to the driver a view of the highway for a distance of at least 200 feet to the rear, but may not exceed 10" beyond the permitted width.
26. **TIME RESTRICTIONS.** Movement is not allowed between the hours of 7:00 a.m. to 9:00 a.m. nor between 4:00 p.m. to 6:00 p.m. on any City highway within the restricted area shown on attached map. Permit invalid unless map is attached.
27. **SIGNS.** Unless specifically stated otherwise on the face of the permit, all loads or vehicles being moved on highways under the provisions of Section 35780, exceeding 8'-0" in width, 80'-0" in length, or with more than 10'-0" of overhang must display appropriate warning signs. All signs shall be removed immediately upon completion of the work.

Signs shall be posted on front and rear and shall read "LONG LOAD" or "OVERSIZE". The "LONG LOAD" sign shall be used whenever overall length exceeds 100 feet. The "OVERSIZE" sign shall be used for shorter lengths and other oversize features. The more definite signs reading "WIDE LOAD", "LONG LOAD", "OVERSIZE LOAD", "EXCESSIVE FRONT OVERHANG" or "EXCESSIVE REAR OVERHANG" may be substituted for the "OVERSIZE" sign when appropriate. The "LONG LOAD" sign shall have preference when length exceeds 100'-0" and other oversize features exist. The lettering shall be a 10" minimum height with a 1-5/8" minimum brush stroke, and a minimum 1" all around. All signs shall be black letters on a yellow background, mounted at least 18" above the road surface front and rear. Signs must be neat, clean, legible, mounted securely and visible from straight ahead or behind and to 45° either side thereof.

Trailer Coaches and Building Modules

28. COACHES AND MODULES TOWED ON OWN AXLES
 - a. Shall not exceed 6,000 pounds per axle.
 - b. Exceeding 11'-6" in width shall have a minimum of 2 axles.
 - c. Exceeding 60'-0" in length shall have a minimum of 3 axles.
 - d. Units with 2 or more axles shall be equipped with full braking on a minimum of 2 axles.
 - e. May exceed 60 feet but may not exceed 65'-0" in length with a minimum of two axles when equipped with 8 x 14.5 mobile home 8-ply or 10-ply rated tires. (Ref. HUD regulations 24 CFR Section 280.904(b)(6).
29. TOWING UNITS. Tractor units towing trailer coaches and modules exceeding 10'-0" in width shall be equipped with dual rear wheels, and shall have an unladen weight as defined in Section 660 of the California Vehicle Code of not less than 6,500 pounds.
30. OPEN SIDE COVERING. Open sided units shall be covered by plywood, hard board or other rigid material. In lieu of rigid material, suitable plastics, or other flexible material may be used. Billowing or flapping of plastic or flexible side covering in excess of 6" in any one place will not be permitted.

Tow Truck

31. LENGTH. The length of tow truck and tow bar added to a legal vehicle or combination of vehicles is permitted within the radius specified on the permit. (See Vehicle Code 25780.)
32. DANGEROUS CARGO.
 - a. A disabled vehicle or vehicle combination containing a flammable or corrosive cargo, or poison gas may be towed without length limitation to the nearest petroleum distribution center, truck service stop, or destination, if closer.
 - b. A disabled vehicle or vehicle combination containing or carrying explosives may be towed without length limitations only over approved routes and only to an approved safe parking spot as authorized by the California Highway Patrol for this type of cargo, or to destination, if closer.

33. **LEGAL SIZE.** Any disabled vehicle or vehicles, including load, to be towed shall be of legal size and weight (see Regulation 35 for exceptions).
34. **UNRESTRICTED MOVEMENT.** Unrestricted day and night movements, including Saturdays, Sundays and holidays, are authorized provided that only essential minimum distances (point of breakdown to nearest off-ramp) are traveled in metropolitan areas between the hours of 7:00 a.m. to 8:30 a.m. and 3:30 p.m. to 6:00 p.m. as shown on the attached Restricted Hours map.
35. **TOWING PERMIT LOADS AND/OR VEHICLES.**
 - a. Disabled oversize and/or overweight vehicles, if covered by a valid Transportation permit issued by the Department of Development Services, may be towed on the City highways authorized by that transportation permit but only to the closest freeway off-ramp, city street, or truck service stop.
 - b. Any disabled vehicle or combination of vehicles which because of damage has incurred distortion in width or height hereby causing an excess in legal dimensions or the dimensions authorized by a Transportation permit adhere to the following provisions:
 - (1) When such damage occurs on the City highway other than a freeway, the disabled vehicle or combination shall be towed either to the nearest City street over which travel can be continued by other permits or towed to the nearest parking spot until a "single trip" permit can be obtained covering the existing oversize dimensions to further travel.
 - (2) When such damage occurs on any full freeway, the vehicle or combination may be towed to the nearest off-ramp of the City street over which travel can be continued by other permits. Any such width over 12'-0" will require a front and rear pilot car as escort for any distance over one-half mile.

Escort Vehicle and Flagging

36. **PERMITTEE'S RESPONSIBILITY FOR PROPER PILOTING AND FLAGGING PROCEDURES.** It shall be the responsibility of the Permittee to ensure that pilot car vehicles, operators, and/or flagmen employed carry out the provisions of this permit, and all personnel are properly equipped and briefed as to their responsibilities prior to the movement. Failure of pilot car operators and flagmen to comply with these provisions in properly warning and directing traffic is considered a violation of the terms of this permit.

37. FLAGMAN. When necessary to post a flagman or flagmen in order to warn and direct approaching traffic, each flagman must be wearing a red jacket or vest and equipped with a red flag and paddle reading "STOP" in white letters with red background. Flagmen shall not be less than 18 years of age and capable of carrying out flagging responsibilities.
38. PILOT CARS. Pilot cars when specified on the face of the permit shall be furnished by the Permittee.

When one pilot car is required it shall precede on two or three lane conventional roads or follow on four or more lane divided roads. When two pilot cars are required one shall precede and one shall follow piloted load or vehicle. Exceptions to these provisions are to be specifically stated on the face of the permit. The permit may require additional pilot cars.

Pilot cars and permit move shall remain right of the centerline of the roadway at all times except when prevented by the physical limitations of the highway. The use of a pilot car does not grant to the Permittee the right to pre-empt the opposing traffic lane. When it becomes necessary because of physical limitations of the highway to use a portion of the opposing traffic lane the permit move shall not occupy that lane until it has been advised by the pilot car that the lane is clear of all on-coming traffic. Opposing traffic is not to be stopped, except in extreme emergencies. It shall be the responsibility of the permit move to stop safely and wait until the opposing lane is free of traffic before proceeding.

Pilot cars shall also comply with provisions of Section 21650 of the Vehicle Code with regard to driving upon the right side of the roadway.

Pilot cars shall not be used to tow another vehicle while being utilized as a pilot car.

Convoying, or using one pilot car for more than one extra-legal load, will not be permitted unless specifically authorized on the face of the permit.

All vehicles or loads exceeding 12'-0" in width, or the lane width will require a pilot car and those exceeding 14'-0" in width shall have a pilot car, both front and rear. In some areas a pilot car will be required for loads of lesser width or additional pilot cars will be called for depending on the character of the road and the traffic volume. For example, pilot cars may be specified for loads or vehicles exceeding 10'-0" in width on two-lane roads traversing mountain areas.

All loads exceeding 25'-0" front/rear overhang measured from the last visible means of support will require a pilot car.

All mobile vehicles, the boom rear overhang exceeding 25'-0" measured from the center of the rear most axle of the vehicle, boom dolly, or boom trailer, or

with boom front overhang exceeding 25'-0" measured from the front of the front tire of the vehicle, will require a pilot car if so stated on the face of the permit.

Pilot cars will also be required for loads where any part of the vehicle or load will be expected to encroach on opposing traffic lanes due to alignment, lane width, traffic density, etc., or if assistance is needed at on or off ramps in interchange areas.

The interval *to* be maintained between pilot car(s) and the escorted load or vehicles shall provide the maximum warning to other traffic. The interval shall provide the maximum warning to other traffic. The interval shall also be adequate to allow traffic to pass each vehicle separately where possible.

Pilot car shall be in accordance with the following requirements:

- a. SIZE. Minimum: 60" in width. Maximum: 1-1/2 ton truck.
- b. LIGHTS. Display top mounted flashing or totaling amber light(s), which must be operated at all times while escorting a load unless otherwise specified on the face of the permit. Lights shall be visible *to* the front when leading, and to the rear when following. Lights must be a type as listed on the California Highway Patrol list of approved lighting devices.
- c. SIGNS. Display a top-mounted sign with minimum height of the bottom of the sign 48" above the roadway. The sign shall contain the message "OVERSIZE LOAD AHEAD/FOLLOWING", as appropriate. The more definitive signs reading "OVERSIZE LOAD AHEAD/FOLLOWING", "WIDE LOAD AHEAD/FOLLOWING", or "LONG LOAD AHEAD/FOLLOWING" may be substituted for the "OVERSIZE LOAD AHEAD/FOLLOWING" sign when appropriate. The sign shall be printed with 5" minimum height black letters on a yellow background, using a minimum 1" brush stroke. Signs must not be displayed when not escorting a load.
- d. RADIO. Two-way radio communications between pilot cars and transporting vehicles will be required where the vehicle and/or load encroaches into opposing lanes of travel due to lane widths, highway alignment, side clearance restrictions, length and/or width of load, etc. when specified on the face of the permit.
- e. RED FLAGS. Each pilot vehicle shall be equipped with (1) slow/stop hand paddle, (2) red hand flag, (3) red vest or jacket. These items are to be utilized by the pilot car operator in the event it becomes necessary to park the pilot car and stop or control highway traffic. Flagging procedures shall be in accordance with state's pamphlet entitled "Instructions to Flagmen". At no time will the slow/stop hand paddle be displayed out of the window of a moving vehicle.

Route Evaluation

Any load exceeding 110'-0" length, 15'-0" in width and 16'-0" in height is subject to a route evaluation and inspection by Department of Development Services personnel. Arrangements must be made eight (8) calendar days prior to the move.

Regulations Governing Movement of Mobile Homes

General Requirements

1. All moves shall be made from sunrise to sunset unless otherwise noted on the face of the permit.
2. No moves shall be made on Saturdays, Sundays, Holidays or at night unless authorized on the face of the permit.
3. No moves shall be made between the hours of 7:00 a.m. and 8:30 a.m. or between 3:30 p.m. and 6:00 p.m. over congested roads.
4. Each applicant for a permit shall provide proof of insurance in Force in accordance with Section 11.34.255 of the Municipal Code.
5. All provisions of the Vehicle Code and Municipal Ordinance shall be complied with at all times.
6. Loads in excess of 12'-6" will require a pilot car and the loads in excess of 14'-0" will require a pilot car fore and aft.

Single Trip Permits

1. Name and address of mover.
2. Make and serial number of coaches.
3. Dimensions of load, including width and length.
4. Point of origin, routing and destination.
5. Maximum axle loading.
6. Single trip permits will be good for calendar days.

Permit fee for single trip permit is \$19.00 (FY21-22)

Blanket /Annual) Permit.

Annual permits will be issued for towing mobile homes under the following conditions:

1. The towing vehicle will be identified on permit.
2. Power units to tow loads having a gross weight of more than 18,000 pounds shall be a 1-1/2 ton vehicle or larger, equipped with dual wheels.
3. Vehicle shall be identified by make, year, license number and I.D. number.
4. Vehicle and mobile home combination shall not exceed 13'-6" in width, 15'-0" height and 90'-0" in length.
5. Applicant must be a licensed manufacturer, dealer or transporter.
6. Applicants must be the owner of the vehicle or the appointed authorized representative.

Permit fee is \$109.00 (FY21-22) for a period not to exceed one year.

1. If the permit is issued for less than one year because of insurance, it can be extended to one year upon proof of issuance.
2. If the tractor identified on an annual blanket permit is sold the permit may be assigned to a new tractor for the remainder of the year.

VERTICAL AND HORIZONTAL CLEARANCE FOR THE MOVEMENT OF OVERSIZED LOADS ON VARIOUS CITY ROADS

The areas where there would be some height restrictions would be at signalized intersections. The minimum allowable vertical clearance for any obstruction hanging from a signal arm is 15'-0". Therefore, if the vertical dimension of the load exceeds 15'-0", it should either be rerouted or provisions should be made to allow the load to travel against traffic through the signalized intersection as required.

The following is a list of street intersections along some of the major hauling routes which are equipped with traffic signals.

1. Mast Boulevard at Carlton Hills Boulevard
2. Mast Boulevard at Magnolia Avenue
3. Mission Gorge Road at West Hills Parkway
4. Mission Gorge Road at Rancho Fanita Drive
5. Mission Gorge Road at Big Rock Road
6. Mission Gorge Road at Mesa Road
7. Mission Gorge Road at Highway 52
8. Mission Gorge Road at Fanita Drive
9. Mission Gorge Road at Carlton Hills Boulevard
10. Mission Gorge Road at Town Center Parkway
11. Mission Gorge Road at Cuyamaca Street
12. Mission Gorge Road at Cottonwood Avenue
13. Mission Gorge Road at Edgemoor Drive
14. Mission Gorge Road/Woodside Avenue at Magnolia Avenue
15. Prospect Avenue at Cuyamaca Street
16. Prospect Avenue at Magnolia Avenue
17. Prospect Avenue at Highway 67 Ramp

Of all signalized intersections covered, only Mission Gorge Road and Carlton Hills Boulevard (1-30-80) have had damage of the sort that required realignment of the light box (damage caused by a sideswipe action).

Attached is a list of the intersections with the vertical and horizontal restrictions and other pertinent information along these routes.

Mission Gorge Road at West Hills Parkway

Vertical clearance Westbound 20 feet
Vertical clearance Eastbound 19 feet

Mission Gorge Road at Rancho Fanita Dr

Vertical clearance Eastbound 18.8 feet

Mission Gorge Road at Big Rock Road

Vertical clearance Westbound 20 feet
Vertical clearance Eastbound 20 feet

Mission Gorge Road at Mesa Road

Vertical clearance Eastbound 21 feet

Mission Gorge Road at Highway 52 Overpass

Vertical clearance Eastbound 19 feet

Mission Gorge Road at Fanita Drive

Vertical clearance Westbound 20 feet
Vertical clearance Eastbound 20 feet

There is a raised median on the east side of the intersection reducing horizontal clearance to 45 feet westbound and 32 feet eastbound.

Mission Gorge Road at Carlton Hills Boulevard

Vertical clearance Westbound 16.5 feet
Vertical clearance Eastbound 19 feet

Maximum horizontal clearance is 43 feet to miss raised medians and signs thereon.

Mission Gorge Road at Cuyamaca Street

Vertical clearance Westbound 20 feet
Vertical clearance Eastbound 19.5 feet
Vertical clearance Northbound 21 feet
Vertical clearance Southbound 19 feet

Due to islands on the East side of the intersection horizontal loads should be no wider than 40 feet.

Mission Gorge Road at Edgemoor Drive

Vertical clearance Westbound 21 feet
Vertical clearance Eastbound 20.5 feet

Mission Gorge Road/Woodside Avenue at Magnolia Avenue

Vertical clearance Northbound 20 feet
Vertical clearance Southbound 20 feet
Vertical clearance Eastbound 20 feet
Vertical clearance Westbound 20 feet

Prospect Avenue at Cuyamaca Street

Vertical clearance Westbound 20 feet
Vertical clearance Eastbound 20 feet
Vertical clearance Northbound 19 feet
Vertical clearance Southbound 18 feet

Prospect Avenue at Magnolia Avenue

Vertical Clearance Westbound 19.5 feet
Vertical clearance Eastbound 20 feet
Vertical clearance Northbound 19.5 feet
Vertical clearance Southbound 19 feet

Prospect Avenue at Northbound Highway 67 Off-ramp

Vertical clearance Westbound 20 feet
Vertical clearance Eastbound 20 feet

Woodside Avenue at Highway 67 Overpass

Minimum passable clearance vertically 16.5 feet

SHEET NUMBER: _____

Minimum Requirements for Loads to be Moved at Night and on Saturdays.

Rider

To made a part of Permit **NO.** _____ Date _____

1. Night and Saturday moves are authorized only when shown on the face of the moving permit. Blanket permits for night moves will not be authorized for loads in excess of: Height 14'-0", Width 12'-0", Length 90'-0".
2. Any requests for night or Saturday moves involving equipment in excess of the above dimensions will be considered on a single even permit basis.
3. Any load moved during night-time hours shall meet all requirements of this permit, State and County regulations and shall be properly lighted with warning lights and signs as may be required by law or ordinance.

**NIGHT MOVE
MINIMUM LIGHTING REQUIREMENTS FOR EACH UNIT**

1. Steadily burning amber lights at outer extremities, and all protrusions, and at 5'-0" intervals completely around structure except the lights in the rear may be red. Maximum heights above ground is 5'-0".
2. A minimum of the following high intensity amber electric lights must be in operation. These lights must be at least 4" in diameter.

Approximate height above ground is 8'-0".

Left front and Right rear - 2 lights (one blinker and one steady or both blinking)

Right front and Left rear - 1 light blinker or steady

3. White flood light projecting from the towing truck to flood entire front of each unit 15'-0" or wider, adjusting so that lights will not project beyond maximum width of the unit.
4. Lighting on EACH UNIT being moved shall meet these requirements.
5. These requirements may be modified and/or additional requirements may be requested by the Department of Development Services.

**CITY ROADS AS LISTED FOR "PURPLE" LOADING ON
BLANKET MOVING PERMITS**

**FANITA DRIVE from El Cajon City Limits to Mission Gorge Road

**GRAVES AVENUE from El Cajon City Limits to Prospect Avenue

**MAGNOLIA AVENUE from El Cajon City Limits to Len Street

**MISSION GORGE ROAD from San Diego City Limits to Woodside Avenue (all portions).

WOODSIDE AVENUE from Magnolia Avenue to Easterly City Limits

**WOODSIDE AVENUE NORTH from Woodside Avenue to Riverford Road

** indicates that "night moving" is allowed (for truck cranes only).

**PLATE 25-4
GREEN AND BONUS OVERLOADS***

Example: 8'-0" Distance Between First and Last Axle in Feet

43,680
50,232
54,600

4 tires, 8'-0" Wide
8 tires, 8'-0" Wide
8 tires, 10'-0" Wide

Green Load = 1.3 x 700 (L + 40)
Green Load (+ 15%) = 1.15 x 1.3 x 700 (L + 40)
Green Load (+ 25%) = 1.25 x 1.3 x 700 (L + 40)

IN. FT.	0	1	2	3	4	5	6	7	8	9	10	11
2	24,000	24,000	24,000	24,000	24,000	24,000	24,000	24,000	24,000	24,000	24,000	24,000
	27,600	27,600	27,600	27,600	27,800	27,800	27,600	27,600	27,800	27,600	27,600	27,800
	30,000	30,000	30,000	30,000	30,000	30,000	30,000	30,000	30,000	30,000	30,000	30,000
3	24,000	24,000	24,000	24,000	24,000	24,000	39,585	39,661	39,737	39,812	39,888	39,964
	27,600	27,600	27,800	27,800	27,600	27,800	45,523	45,810	45,698	45,784	45,871	45,959
	30,000	30,000	30,000	30,000	30,000	30,000	49,481	49,576	49,671	49,786	49,860	49,956
4	40,040	40,116	40,192	40,267	40,343	40,419	40,495	40,571	40,647	40,722	40,798	40,874
	46,046	46,133	46,221	46,308	46,394	46,482	46,569	46,656	46,744	46,831	46,918	47,006
	50,050	50,144	50,240	50,334	50,429	50,524	50,619	50,713	50,809	50,903	50,998	51,093
5	40,950	41,026	41,102	41,177	41,253	41,329	41,405	41,481	41,557	41,632	41,708	41,784
	47,092	47,179	47,267	47,354	47,441	47,529	47,616	47,703	47,791	47,877	47,964	48,052
	51,187	51,282	51,377	51,472	51,566	51,662	51,756	51,851	51,946	52,041	52,135	52,231
6	41,860	41,936	42,012	42,087	42,163	42,239	42,315	42,391	42,467	42,542	42,618	42,694
	48,139	48,226	48,314	48,401	48,487	48,575	48,662	48,749	48,837	48,924	49,011	49,099
	52,325	52,419	52,515	52,609	52,704	52,799	52,894	52,988	53,084	53,178	53,273	53,368
7	42,770	42,846	42,922	42,997	43,073	43,149	43,225	43,301	43,377	43,452	43,528	43,604
	49,185	49,272	49,360	49,447	49,534	49,622	49,709	49,796	49,884	49,970	50,057	50,145
	53,462	53,557	53,652	53,747	53,841	53,937	54,031	54,126	54,221	54,316	54,410	54,506
8	43,680	43,756	43,832	43,907	43,983	44,059	44,135	44,211	44,287	44,362	44,438	44,514
	50,232	50,319	50,407	50,494	50,580	50,669	50,755	50,842	50,930	51,017	51,104	51,192
	54,600	54,694	54,790	54,884	54,979	55,074	55,169	55,263	55,359	55,453	55,548	55,643
9	44,590	44,666	44,742	44,817	44,893	44,969	45,045	45,121	45,197	45,272	45,348	45,424
	51,278	51,365	51,453	51,540	51,627	51,715	51,802	51,889	51,977	52,063	52,150	52,238
	55,737	55,832	55,927	56,022	56,116	56,212	56,306	56,401	56,496	56,591	56,685	56,781
10	45,500	45,576	45,652	45,727	45,803	45,879	45,955	46,031	46,107	46,182	46,258	46,334
	52,325	52,412	52,500	52,587	52,673	52,761	52,848	52,935	53,022	53,110	53,197	53,285
	56,875	56,969	57,065	57,159	57,254	57,349	57,444	57,538	57,639	57,728	57,823	57,918
11	46,410	46,486	46,562	46,638	46,713	46,789	46,865	46,941	47,017	47,092	47,168	47,244
	53,371	53,458	53,546	53,634	53,715	53,808	53,895	53,982	54,070	54,156	54,243	54,331
	58,012	58,107	58,202	58,298	58,386	58,487	58,581	58,676	58,771	58,866	58,960	59,056
12	47,320	47,396	47,472	47,547	47,623	47,699	47,775	47,851	47,927	48,002	48,078	48,154
	54,418	54,505	54,593	54,680	54,766	54,854	54,941	55,028	55,116	55,203	55,290	55,378
	59,150	59,244	59,340	59,434	59,529	59,624	59,719	59,813	59,909	60,003	60,098	60,193
13	48,230	48,306	48,382	48,457	48,533	48,606	48,685	48,761	48,837	48,912	48,988	49,064
	55,464	55,551	55,639	55,726	55,813	55,901	55,988	56,075	56,163	56,249	56,336	56,424
	60,287	60,382	60,477	60,572	60,666	60,762	60,856	60,951	61,046	61,141	61,235	61,331
14	49,140	49,216	49,292	49,367	49,443	49,519	49,595	49,671	49,747	49,822	49,898	49,974
	56,511	56,598	56,686	56,773	56,859	56,947	57,034	57,121	57,209	57,296	57,383	57,471
	61,425	61,519	61,615	61,709	61,804	61,899	61,994	62,088	62,184	62,278	62,373	62,468
15	50,050	50,126	50,202	50,277	50,353	50,429	50,505	50,581	50,657	50,732	50,808	50,884
	57,557	57,644	57,732	57,819	57,906	57,994	58,081	58,168	58,256	58,342	58,429	58,517
	62,562	62,657	62,752	62,847	62,941	63,037	63,131	63,226	63,321	63,416	63,510	63,606
16	50,960	51,036	51,112	51,187	51,263	51,339	51,415	51,491	51,567	51,642	51,718	51,794
	58,604	58,691	58,779	58,866	58,952	59,040	59,127	59,214	59,302	59,389	59,476	59,564
	63,700	63,794	63,890	63,984	64,079	64,174	64,269	64,363	64,459	64,553	64,648	64,743
17	51,870	51,946	52,022	52,097	52,173	52,249	52,325	52,401	52,477	52,552	52,628	52,704
	59,650	59,737	59,825	59,912	59,999	60,087	60,174	60,261	60,349	60,435	60,522	60,610
	64,837	64,932	65,027	65,122	65,216	65,312	65,406	65,501	65,596	65,691	65,785	65,881
18	52,780											
	50,297											
	65,975											

*A set of tandem axles with spacing between axles of less than 3.5' is considered as a single axle.

PLATE 23-5
PURPLE AND BONUS OVERLOADS*

Example: 8'-0" First to Last Axle in Feet

50,400
57,960
63,000

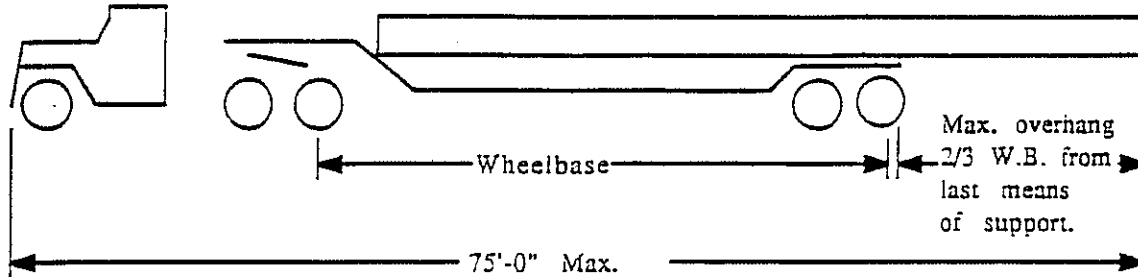
4 tires, 8'-0" Wide
 8 tires, 8'-0" Wide
 8 tires, 10'-0" Wide

Purple Load = 1.5 x 700 (L + 40)
 Purple Load (+15%) = 1.15 x 1.5 x 700 (L + 40)
 Purple Load (+25%) = 1.25 x 1.5 x 700 (L + 40)

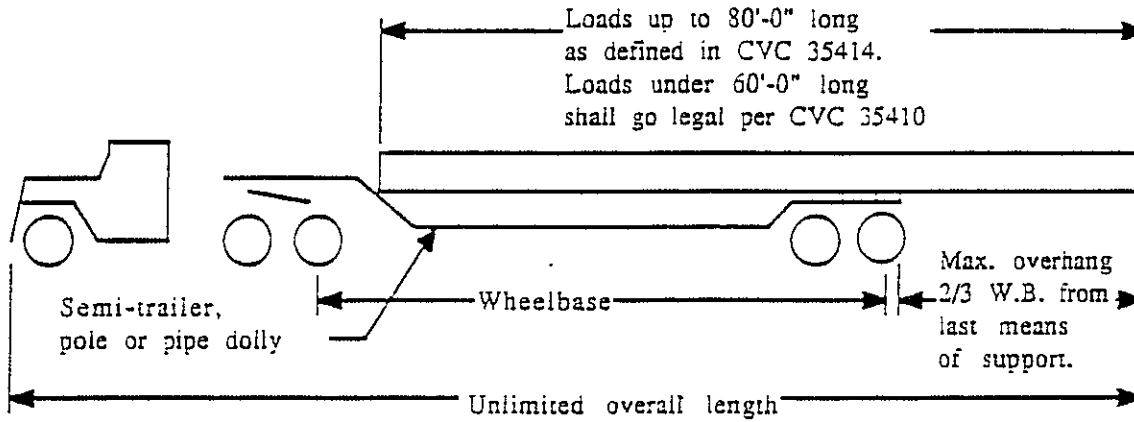
IN. FT.	0	1	2	3	4	5	6	7	8	9	10	11
2	28,000	28,000	28,000	28,000	28,000	28,000	28,000	28,000	28,000	28,000	28,000	28,000
	32,200	32,200	32,200	32,200	32,200	32,200	32,200	32,200	32,200	32,200	32,200	32,200
	35,000	35,000	35,000	35,000	35,000	35,000	35,000	35,000	35,000	35,000	35,000	35,000
3	28,000	28,000	28,000	28,000	28,000	28,000	45,875	45,782	45,850	45,937	46,025	46,113
	32,200	32,200	32,200	32,200	32,200	32,200	52,526	52,626	52,728	52,828	52,928	53,030
	35,000	35,000	35,000	35,000	35,000	35,000	57,094	57,203	57,313	57,422	57,531	57,641
4	46,200	46,287	46,375	46,462	46,550	46,638	46,725	46,812	46,900	46,987	47,075	47,163
	53,130	53,230	53,332	53,432	53,532	53,634	53,734	53,834	53,935	54,036	54,136	54,237
	57,750	57,859	57,969	58,078	58,187	58,297	58,406	58,515	58,625	58,734	58,843	58,954
5	47,250	47,337	47,425	47,512	47,600	47,688	47,775	47,862	47,950	48,037	48,125	48,213
	54,338	54,438	54,539	54,639	54,740	54,841	54,942	55,041	55,143	55,243	55,343	55,445
	59,062	59,171	59,282	59,391	59,500	59,610	59,719	59,828	59,938	60,047	60,156	60,266
6	48,300	48,387	48,475	48,562	48,650	48,738	48,825	48,912	49,000	49,087	49,175	49,263
	55,545	55,645	55,747	55,847	55,947	56,049	56,149	56,249	56,350	56,451	56,551	56,652
	60,375	60,484	60,594	60,703	60,812	60,922	61,031	61,140	61,250	61,359	61,468	61,579
7	49,350	49,437	49,525	49,612	49,700	49,788	49,875	49,962	50,050	50,137	50,225	50,313
	56,752	56,853	56,954	57,054	57,155	57,256	57,356	57,458	57,558	57,658	57,758	57,860
	61,687	61,796	61,907	62,016	62,125	62,235	62,344	62,453	62,563	62,672	62,781	62,891
8	50,400	50,487	50,575	50,662	50,750	50,838	50,925	51,012	51,100	51,187	51,275	51,363
	57,960	58,060	58,162	58,262	58,362	58,464	58,564	58,664	58,765	58,866	58,966	59,067
	63,000	63,109	63,219	63,328	63,437	63,547	63,656	63,765	63,875	63,984	64,093	64,204
9	51,450	51,537	51,625	51,712	51,800	51,888	51,975	52,062	52,150	52,238	52,325	52,413
	59,168	59,268	59,369	59,469	59,570	59,671	59,771	59,871	59,973	60,073	60,173	60,275
	64,312	64,421	64,532	64,641	64,750	64,860	64,969	65,078	65,188	65,297	65,406	65,516
10	52,500	52,587	52,675	52,762	52,850	52,938	53,025	53,112	53,200	53,288	53,375	53,463
	60,375	60,475	60,577	60,677	60,777	60,879	60,979	61,079	61,180	61,281	61,381	61,482
	65,625	65,734	65,844	65,953	66,062	66,172	66,281	66,390	66,500	66,609	66,718	66,829
11	53,550	53,637	53,725	53,812	53,900	53,988	54,075	54,162	54,250	54,338	54,425	54,513
	61,583	61,683	61,784	61,884	61,985	62,086	62,186	62,286	62,388	62,488	62,588	62,690
	66,938	67,046	67,157	67,266	67,375	67,485	67,594	67,703	67,813	67,922	68,031	68,141
12	54,600	54,687	54,775	54,862	54,950	55,038	55,125	55,212	55,300	55,388	55,475	55,563
	62,790	62,890	62,992	63,092	63,192	63,294	63,394	63,494	63,595	63,696	63,796	63,897
	68,250	68,359	68,469	68,578	68,687	68,797	68,906	69,015	69,125	69,234	69,343	69,454
13	55,650	55,737	55,825	55,912	56,000	56,088	56,175	56,262	56,350	56,438	56,525	56,613
	63,998	64,098	64,199	64,299	64,400	64,501	64,601	64,701	64,803	64,903	65,003	65,105
	69,562	69,671	69,782	69,891	70,000	70,110	70,219	70,328	70,438	70,547	70,656	70,766
14	56,700	56,787	56,875	56,962	57,050	57,138	57,225	57,312	57,400	57,488	57,575	57,663
	65,205	65,305	65,407	65,507	65,607	65,709	65,809	65,909	66,010	66,111	66,211	66,312
	70,875	70,984	71,094	71,203	71,312	71,422	71,531	71,640	71,750	71,859	71,968	72,079
15	57,750	57,837	57,925	58,012	58,100	58,188	58,275	58,362	58,450	58,538	58,625	58,713
	66,412	66,513	66,614	66,714	66,815	66,916	67,016	67,116	67,218	67,318	67,418	67,520
	72,188	72,296	72,407	72,516	72,625	72,735	72,844	72,953	73,063	73,172	73,281	73,391
16	58,800	58,887	58,975	59,062	59,150	59,238	59,325	59,412	59,500	59,588	59,675	59,763
	67,620	67,720	67,822	67,922	68,022	68,124	68,224	68,324	68,425	68,526	68,626	68,727
	73,500	73,609	73,719	73,828	73,937	74,047	74,156	74,265	74,375	74,484	74,593	74,704
17	59,850	59,937	60,025	60,112	60,200	60,288	60,375	60,462	60,550	60,638	60,725	60,813
	68,828	68,928	69,029	69,129	69,230	69,331	69,431	69,531	69,633	69,733	69,833	69,935
	74,812	74,921	75,032	75,141	75,250	75,360	75,469	75,578	75,688	75,797	75,906	76,016
18	60,900											
	70,035											
	76,125											

PILOT CAR/OVERHANG COMPARISON

1. Legal per CVC 35410

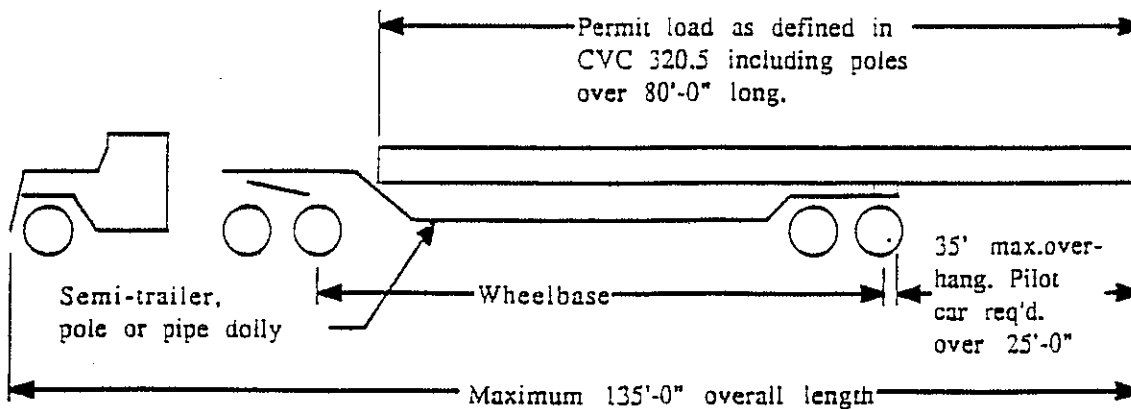


2. Legal per CVC 35414



Note: Vehicle combination, when unladen, shall return at legal dimensions! No permits are available when unladen!

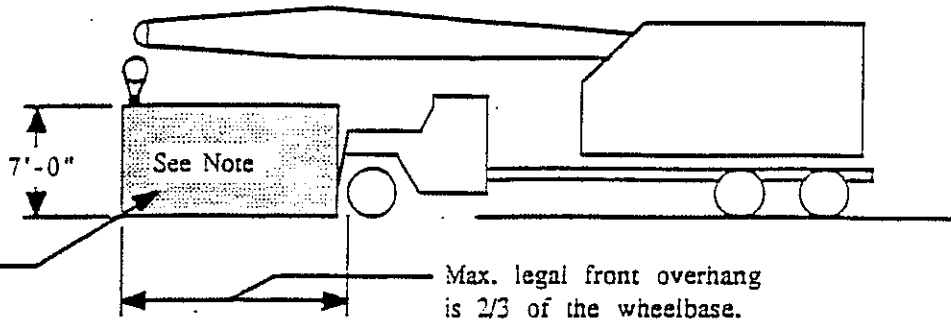
3. Single item non reducible permit load



PILOT CAR/OVERHANG COMPARISON

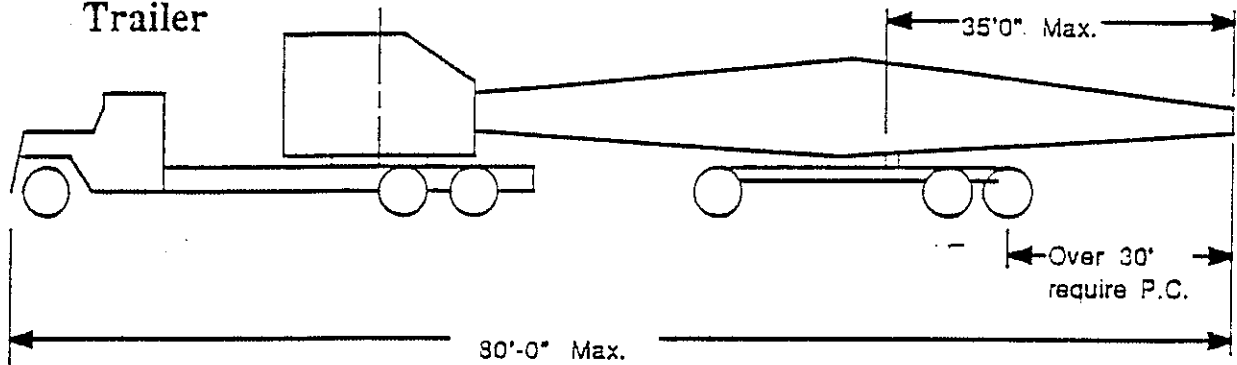
1. Clear Vision

Note:
CVC 35407 requires
unobstructed drivers
vision in this area

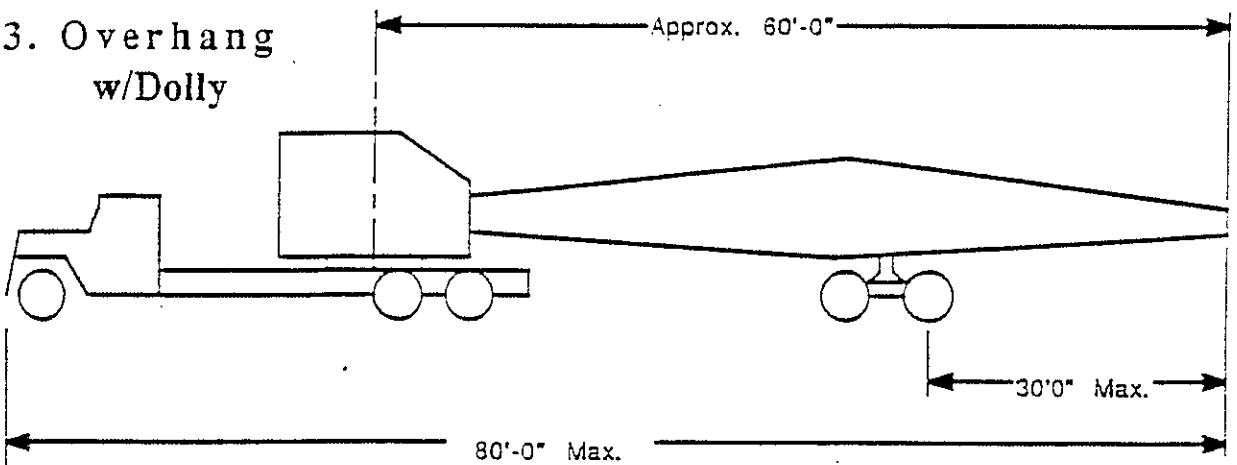


Max. legal front overhang
is 2/3 of the wheelbase.
Max. permissible = 30'-0"
Anything over 25'-0" requires
pilot car.

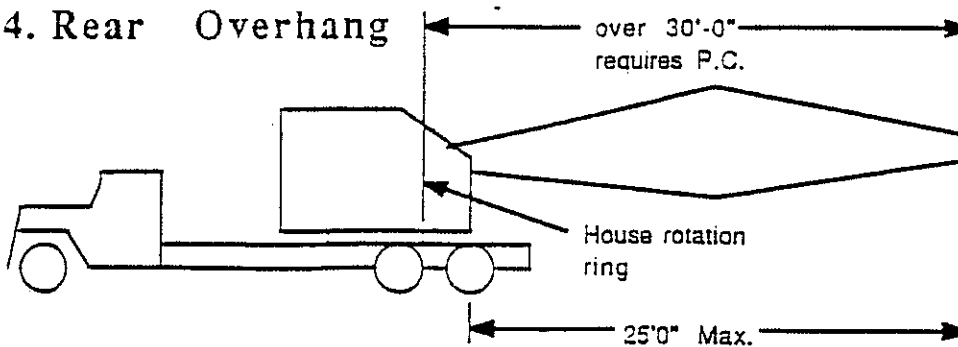
2. Overhang w/Boom Trailer

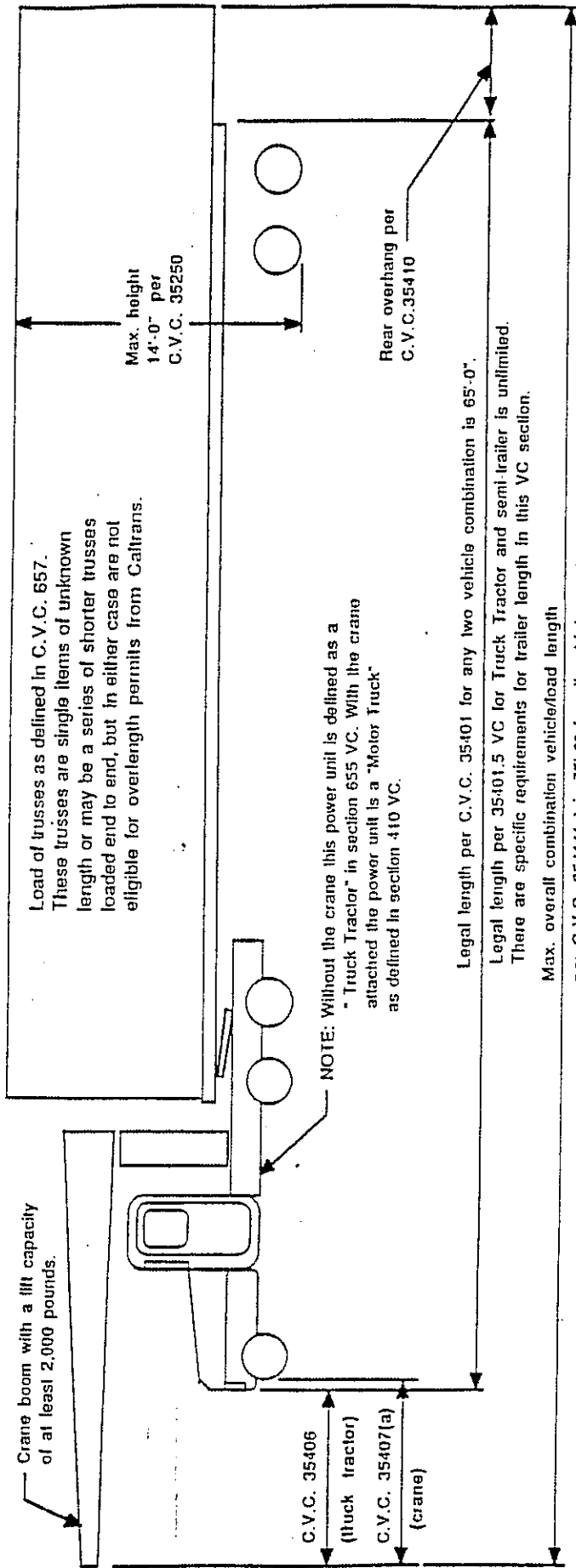


3. Overhang w/Dolly



4. Rear Overhang





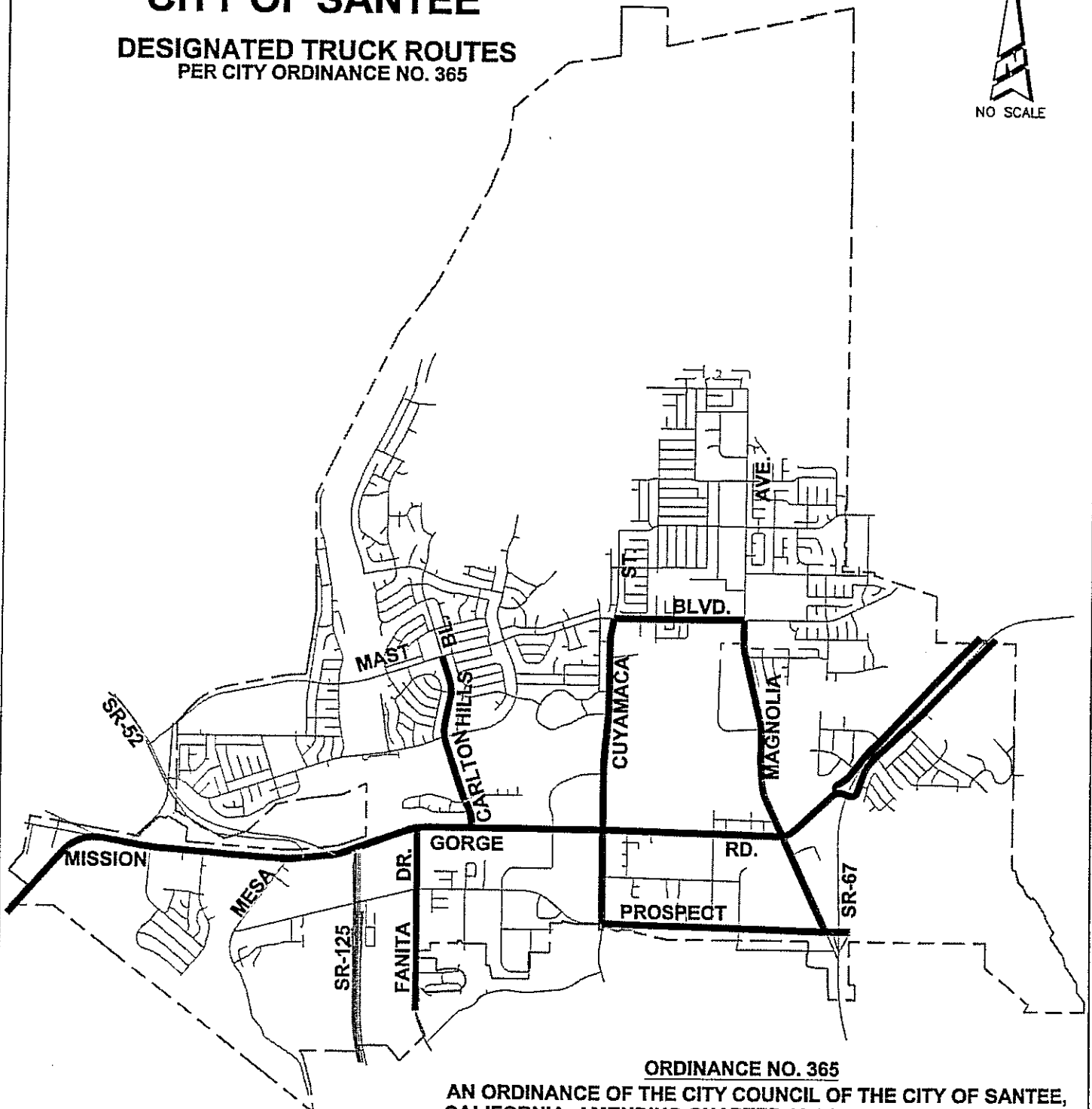
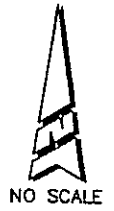
QUESTIONS:

1. Are trusses a commodity in C.V.C. 35414 that would exempt a tractor/semi-trailer from the length limitations of C.V.C. 35401 and 35401.5?
2. If they are not exempt, then what is the length limitations for the tractor/semi trailer under C.V.C. 35401 and/or 35401.5?
3. If they are not exempt, then what is the rear overhang limitation under C.V.C. 35410?
4. If the power unit is registered with DMV as a truck tractor, what is the max. front overhang allowed?
5. If the power unit is registered with DMV as a truck tractor, what is the max. overall length including front overhang, tractor, semi-trailer and load?
6. If the power unit is registered with DMV as a crane, what is the max. front overhang?
7. If the power unit is registered with DMV as a crane, what is the max. overall length including front overhang, power unit, semi-trailer and load?
8. These same questions would be applicable if the answer to question number 1 is "Yes".

CITY OF SANTEE

DESIGNATED TRUCK ROUTES

PER CITY ORDINANCE NO. 365



ORDINANCE NO. 365

AN ORDINANCE OF THE CITY COUNCIL OF THE CITY OF SANTEE, CALIFORNIA, AMENDING CHAPTER 10.24.055 OF THE SANTEE MUNICIPAL CODE RELATING TO THE REGULATION OF TRUCK TRAFFIC ON CITY STREETS.

LEGEND:

— - TRUCK ROUTE